



MODULAR STONE DUMPSTER ENCLOSURES

Modular enclosures offer a range of benefits that traditional enclosures simply can't match. Not only is it easier and faster to install, but it also provides a realistic appearance that costs only a fraction of what a traditional masonry system would.



CUSTOM COLOR CHOICES TO FIT YOUR DESIGN STYLES



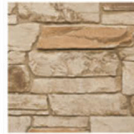
MOUNTAIN COUNTRY



ALMOND TAUPE



RUSTIC GREY



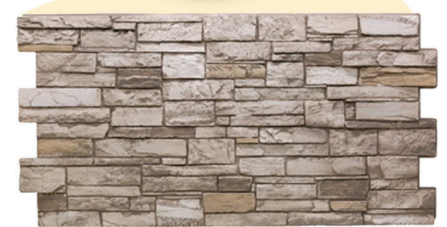
DESERT TAN



FIELDSTONE



CASCADE CANYON



EASY INSTALL URESTONE 4'x8' STONE PANELS

CHOICE ENCLOSURES KEY BENEFITS



FAST INSTALLATION

Our Enclosure Kits feature an easy-to-install framing system that is self-supporting. Most installations can be completed in a day.



SAVE 50% ON COSTS

Compared to the costs of traditional masonry units, you save an average of 50% when you factor in the cost of labor and materials.



CUSTOMIZEABLE APPEARANCE

Choose from a variety of sizes, heights, textures and stone colors to fit the needs of your business. Custom styles and colors are available.

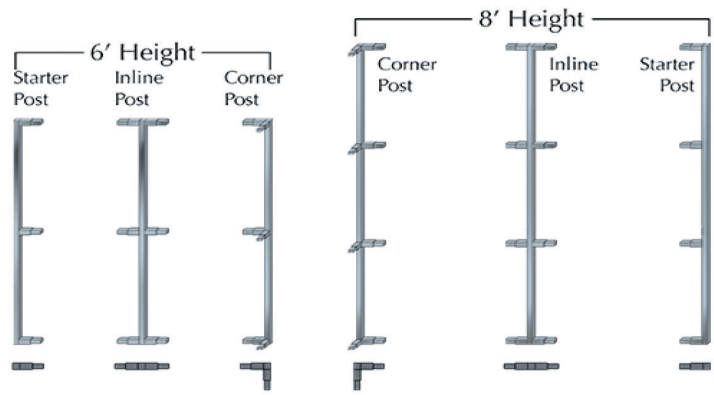
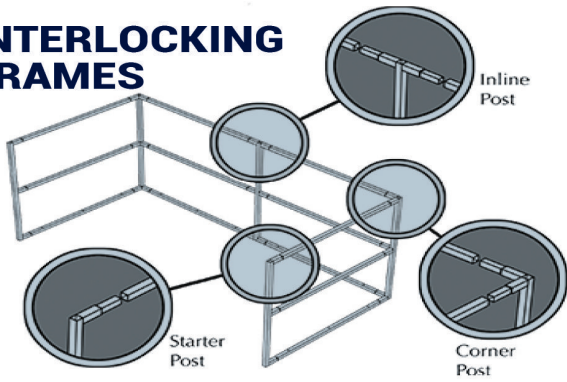


DURABLE & LOW MAINTENANCE

Our stone enclosures are durable and have a clean interior appearance which makes it easier to clean & less overall maintenance.

COMPONENTS OVERVIEW

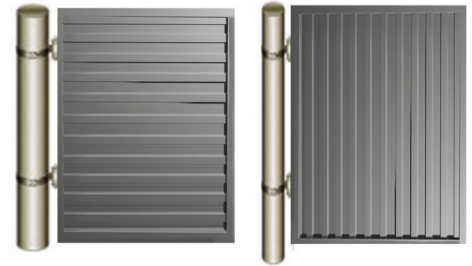
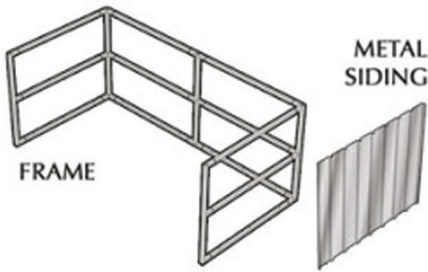
INTERLOCKING FRAMES



Frame Sizes:



HEIGHT (6' or 8')	A	B	C	D	E	F	G
SIDE	10'	10'	12'	12'	10'	12'	12'
BACK	10'	12'	12'	16'	20'	20'	24'



MODULAR FRAMING

- Fast Simple Installation
- Self Supporting - *No post Needed*
- Strong 2" Tubular Steel
- Available in 6' & 8' Heights

REALISTIC SIDING

- Realistic Stone Appearance
- 10 Year Warranty
- Custom Colors & Textures
- Ability to Match Structures

GATE OPTIONS

- Easy Installation
- No Welding Required
- Standard & Heavy Duty Posts
- Custom Colors & Textures



LEARN MORE

Choice Enclosures
 9200 Latty Ave.
 Hazelwood, MO 63042
 P: 314-524-2040