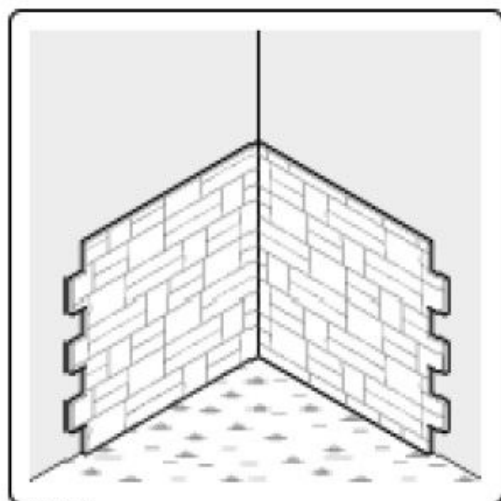


INSIDE CORNER MITERING

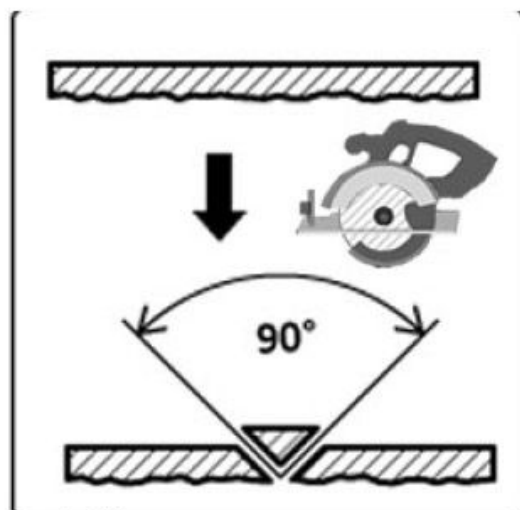
The recommended methods for cutting the panels can be seen in the diagrams shown.

Figure 9.2B - Using a circular saw.

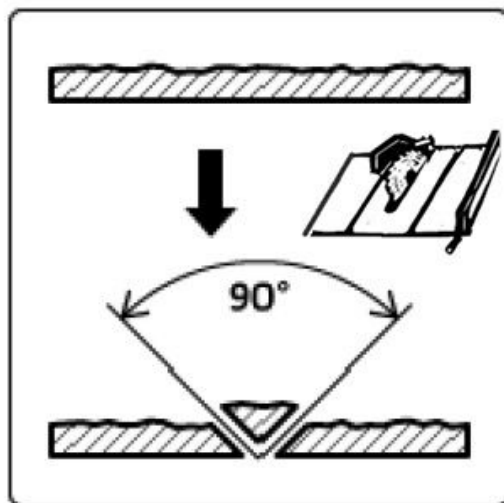
Figure 9.2C - Using a table saw.



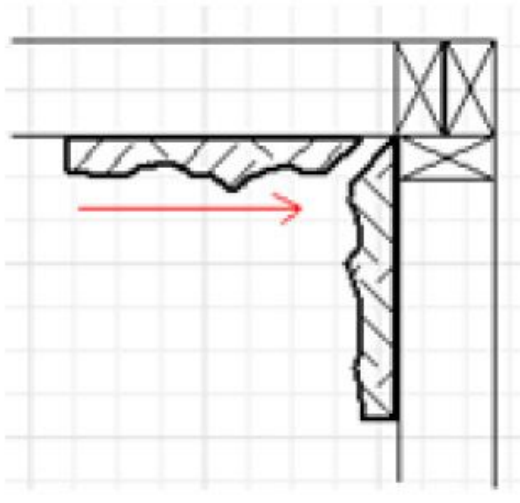
9.2A



9.2B



9.2C



9.2D