

# RESTONE

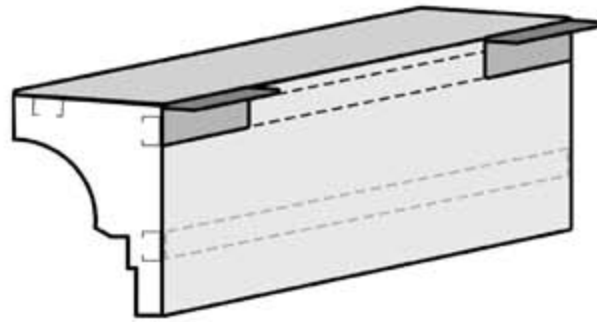
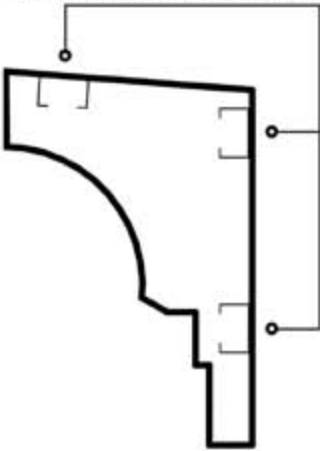
BY REPLICATIONS UNLIMITED



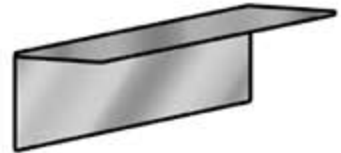
Option 1 (8" - 18" Cornices)

**1.1 • 5" Angle Support**

Metal studs are embedded in the cornice for attachment



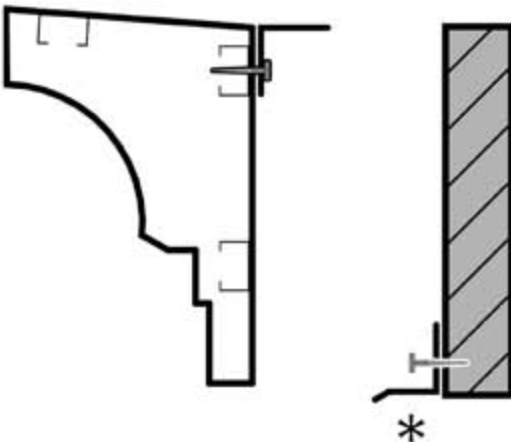
\* Supplied by URESTONE  
(MT \_\_\_\_)



**STEP 1:**

Screw in 5" Angle Support\* to top of cornice through metal stud.

**1.2 • Flashing**

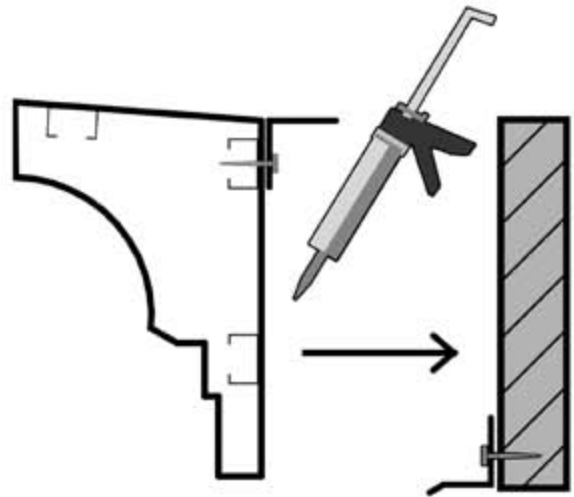


**STEP 2:**

Add flashing to wall as a trim and a support to the cornice.

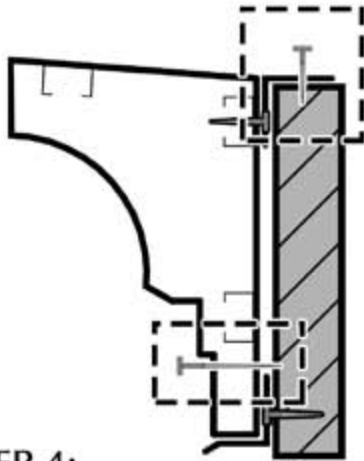
\* (Metal Trim Chapter \_\_)

**1.3 • Adhesive**

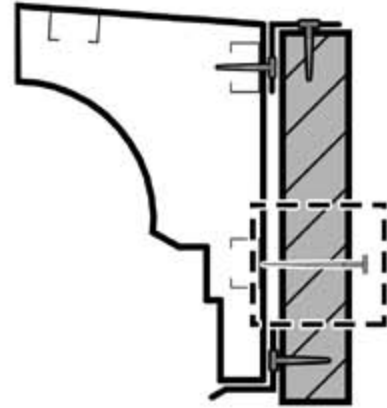


**STEP 3:**

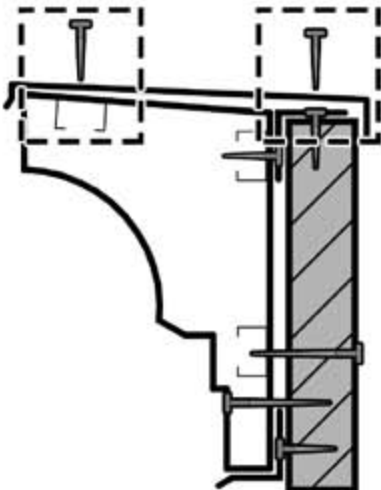
Add polyurethane adhesive to the back of the cornice.

**1.4 • Adding Screws****STEP 4:**

Screw the top 5" angle into the top of the building wall. In some cases, a screw may be required in the lower part of the cornice. (Use epoxy filler & textured paint to hide screws)

**1.5 • (Optional Attachment Method)****STEP 5 (Optional):**

If the backside of the wall is open, screws could be used to attach the cornice to the wall through the lower metal stud, eliminating the need for the screw in the lower front.

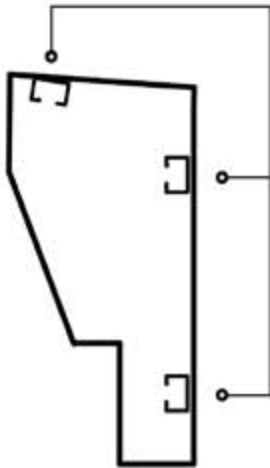
**1.6 • Cornice Cap****STEP 6:**

Add a metal Cornice Cap as needed. Cap dimensions and design will need to be coordinated with each specific job site roofing or mansard detail.

Option 2 (24" height or larger cornices)

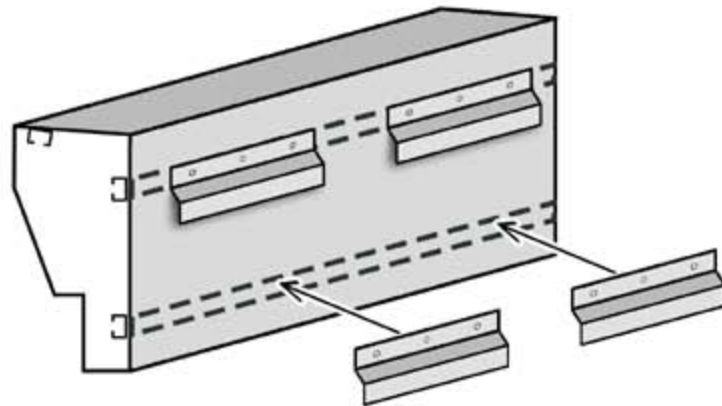
**2.1 • Zip Clip System on Metal Building**

Metal studs are embedded in the cornice for attachment

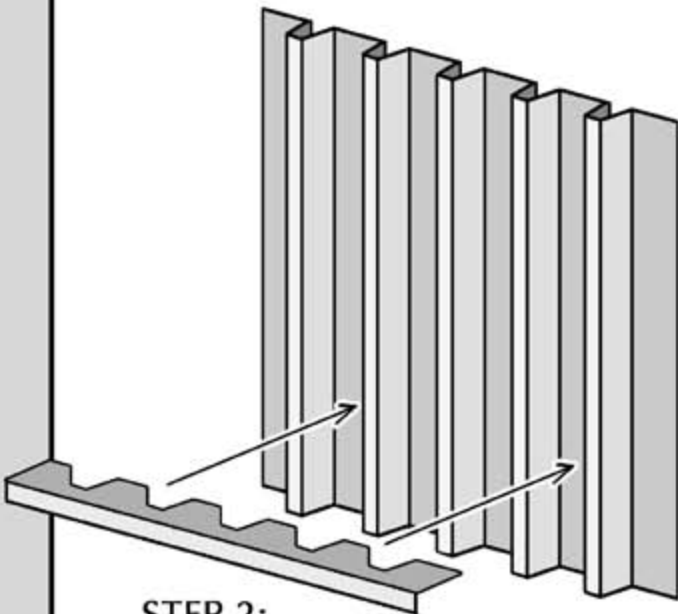


**STEP 1:**

Add Z - Bar to the back of cornice connecting through the metal stud.



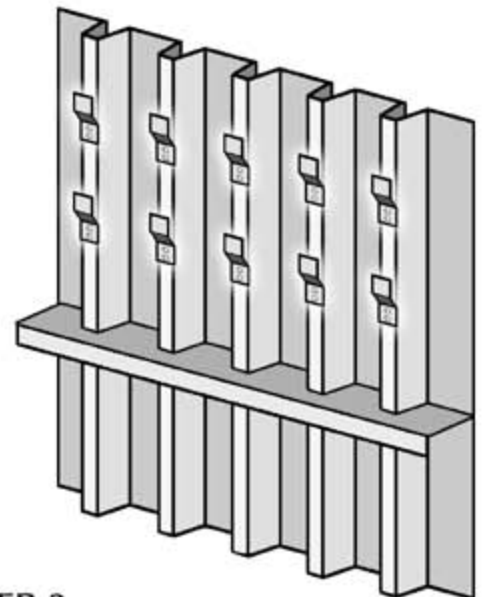
**2.2 • R - Panel Trim**



**STEP 2:**

Add R - Panel trim to metal siding. (Typically MT \_\_\_\_)

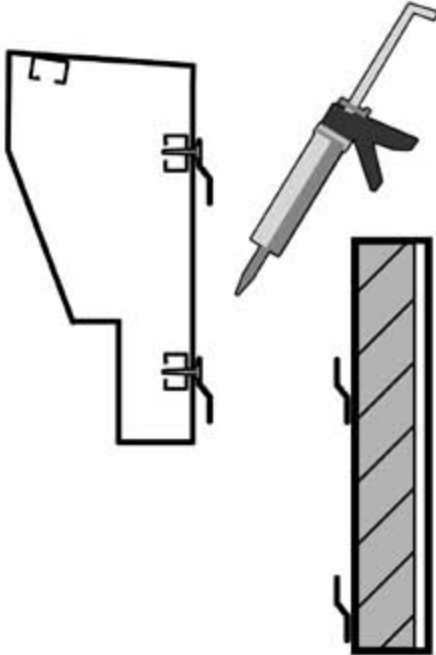
**2.3 • Z-Clips**



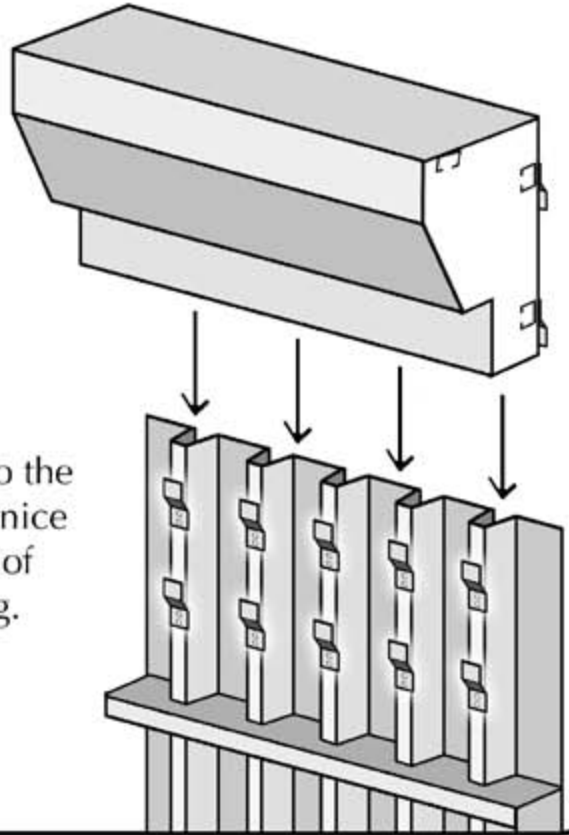
**STEP 3:**

Add 2 rows of Zip Clips to peaks of metal siding.

**2.4 • Adhesive**



**STEP 4:**  
Add adhesive to the  
backside of cornice  
or to the peaks of  
the metal siding.



**2.5 • Completion**

**STEP 5:**  
Insert cornice onto wall. Then attach  
cornice cap with screws through the  
top metal stud in the cornice.

