

METAL DUMPSTER ENCLOSURES



MODULAR METAL DUMPSTER ENCLOSURES

Modular enclosures offer a range of benefits that traditional enclosures simply can't match. From their sleek, modern design to their easy installation and customization options, modular enclosures are easy to build without compromising on quality. As a result, they have become an increasingly popular solution for anyone looking to upgrade or create metal dumpster enclosure.



STANDARD METAL



ALAMO WHITE



LIGHT STONE



TAN



CHARCOAL

CHOICE ENCLOSURES KEY BENEFITS



FAST INSTALLATION

Our Enclosure Kits feature an easy-to-install framing system that is self-supporting. Most installations can be completed in a day.



COST EFFECTIVE

Our modular design are less costly than traditional enclosures. No corner posts are required, and cuts down on expensive labor costs.



HIGHLY CUSTOMIZEABLE

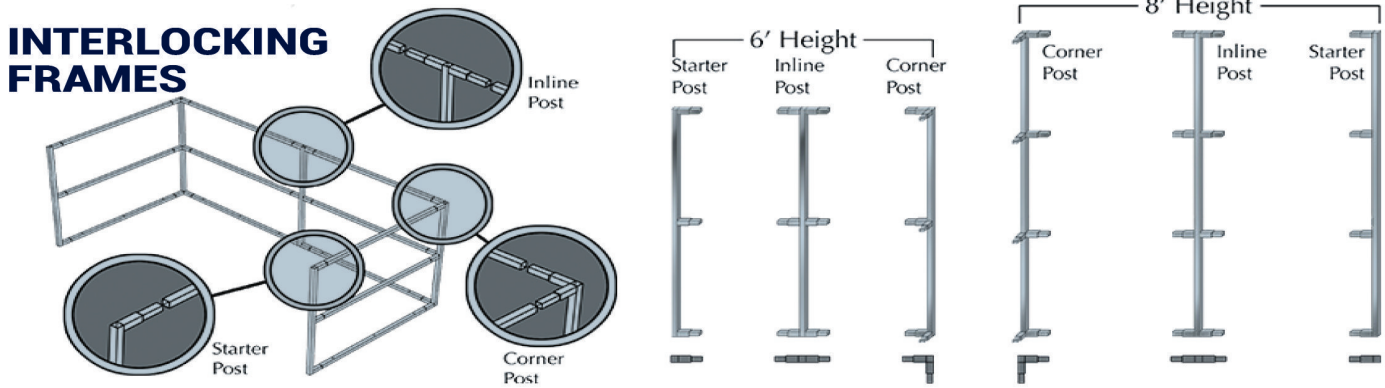
Choose from a variety of sizes, heights and colors to fit your required visions and brand identity. Kits are customizable to fit your needs.



DURABLE & LOW MAINTENANCE

Our metal enclosures are more durable than vinyl fencing and have a clean interior appearance which makes it more low maintenance.

COMPONENTS OVERVIEW



Frame Sizes:

The diagram shows seven frame sizes labeled A through G. A 3D perspective shows the 'SIDE' and 'BACK' orientations. Below is a table with dimensions for each size.

HEIGHT (6' or 8')	A	B	C	D	E	F	G
SIDE	10'	10'	12'	12'	10'	12'	12'
BACK	10'	12'	12'	16'	20'	20'	24'

FRAMING INSTALLATION OVERVIEW



Slide together the interlocking frames easily and bolt the base directly onto any surface.



Attach the metal sidings onto the frame to provide a surface for the stone and brick.



Install the Urestone brick or stone paneling onto the siding surface and install the gates.



LEARN MORE

Choice Enclosures
 9200 Latty Ave.
 Hazelwood, MO 63042
 P: 314-524-2040