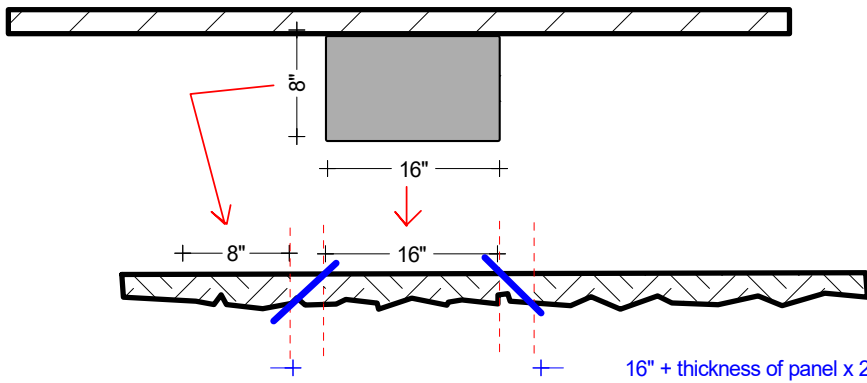
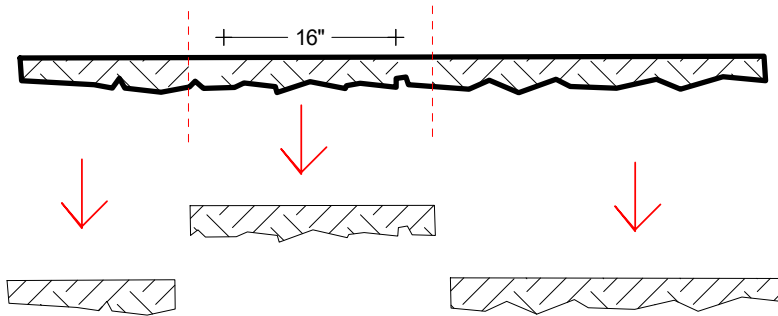


## Step 1 determine the cut dimensions



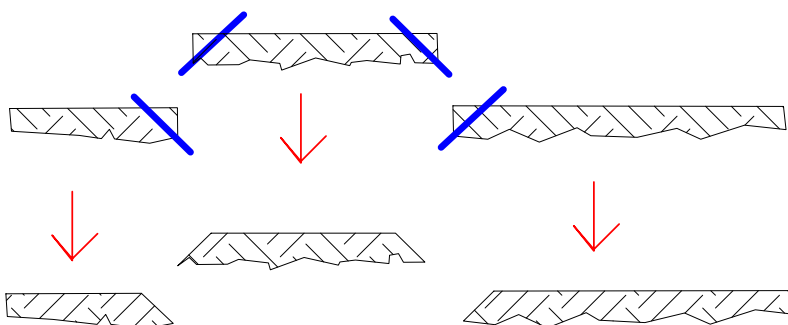
Step 1:  
Measure the columns and add extra dimensions to compensate for the miter cuts. (typically 2-3")

## Step 2 make straight cuts



Step 2:  
It is a better process to first cut the panels at a normal 90 degree straight angle. If a miter is cut first, it will cut the angle in the adjacent side.

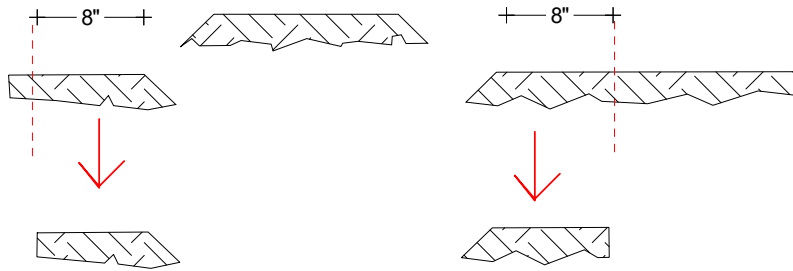
## Step 3 make miter cuts



Step 3:  
Once the straight cuts are made, then miter cuts can be done.

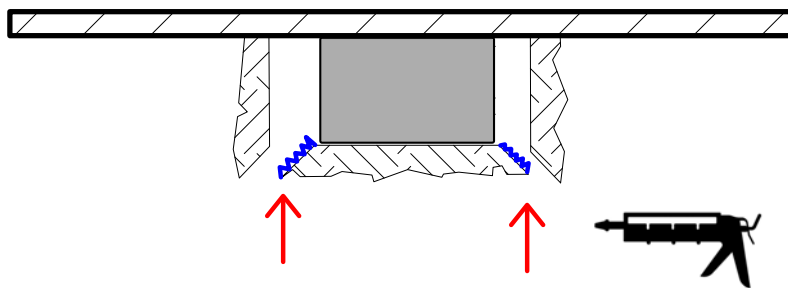
# MITERING PANELS TO PRODUCE PILASTERS / COLUMNS

## Step 4 make final side pilaster cut



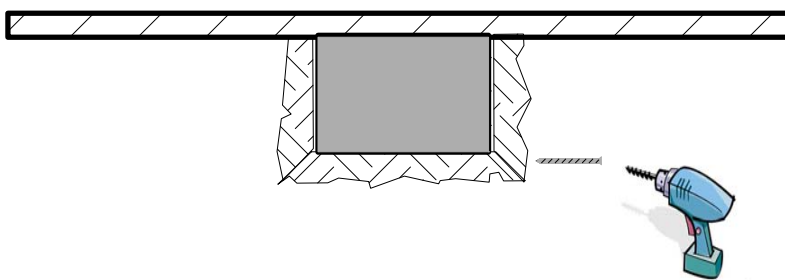
Step 4:  
Now that the miters are made, cut the side dimensions

## Step 5 add adhesive to miter



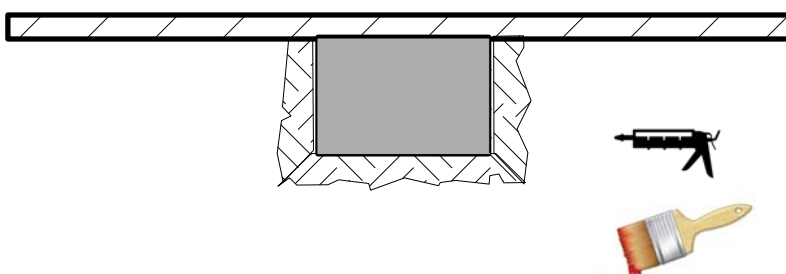
Step 5:  
Add adhesive to the miter edge before putting the panels together.

## Step 6 install screws at miter



Step 6:  
Add screws to provide additional strength to the miter

## Step 7 touch up corner



Step 7:  
The final step is to fill in any gaps at the miter with the caulk (or our epoxy patch - Polygem) and then touch up with the paint supplied.